

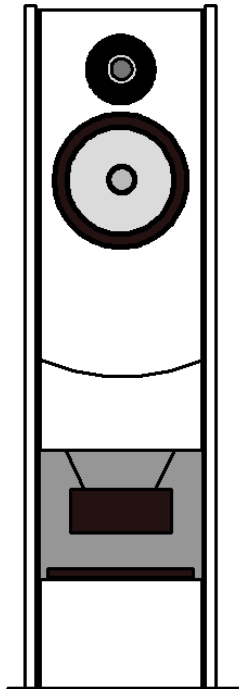
LINKWITZ LAB

Sensible Reproduction and Recording of Auditory Scenes

ORION-4 Loudspeaker System . . .

The Window to Recorded Music and Sound in Your Home

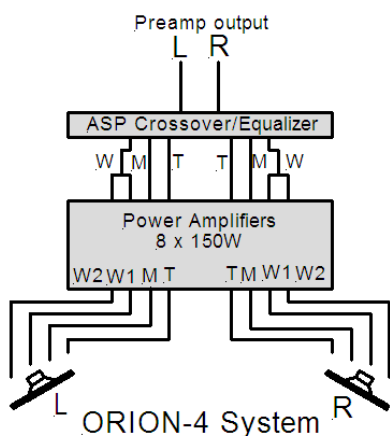
The loudspeakers disappear, the room is forgotten, and you listen through a wide open window to the performance in front of you. Stereo at its best, an illusion engine that satisfies your aural sensibilities, as it reveals the artistry of the performers and the recording.



ORION-4 is custom built by Wood Artistry. The speaker's open-baffle and dynamic drivers follow the concept of the praised AA Beethoven and Vivaldi loudspeakers of the late nineties. With newer components and design refinements ORION-4 surpasses their performance.

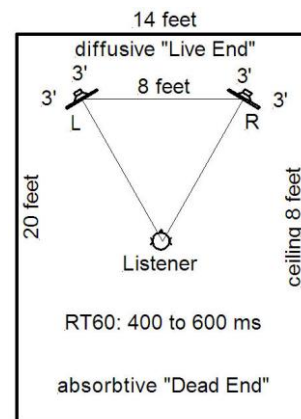
Uniform sound dispersion over a wide frequency range is an essential characteristic of ORION-4. Thereby reflections from the room's surfaces have similar spectral content as the direct sound. Placement of the loudspeakers out in the room adds delay to these reflections, allowing the ear-brain hearing apparatus to differentiate between the direct sounds from the loudspeakers and the room's response. In effect, room and loudspeakers disappear and a phantom auditory scene appears in front of the listener.

Highest quality Seas tweeter, midrange and woofer drivers are used. They are mounted to minimize mechanical vibration coupling between them. The new long-throw woofers operate in force cancelling opposition. This arrangement reduces mechanical vibration of the cabinet and reduces transfer of vibration energy into the floor, which could cause resonant re-radiation from floor and walls.



3-way active ASP XO/EQ
Power amplifiers: 8 x 150W
Tweeter: 2x Seas T25CF002
Midrange: Seas W22EX001
Woofer: 2x Seas L26RO4Y
LR4 xo: 90Hz & 1400Hz

Size: 46"H x 13"W x 16"D
Weight: 90 lb
Room size: 280 to 700 sqft
Placement: symmetrical & >3 ft from walls
Listening distance: 6 to 18 ft



Minimum size room for ORION